

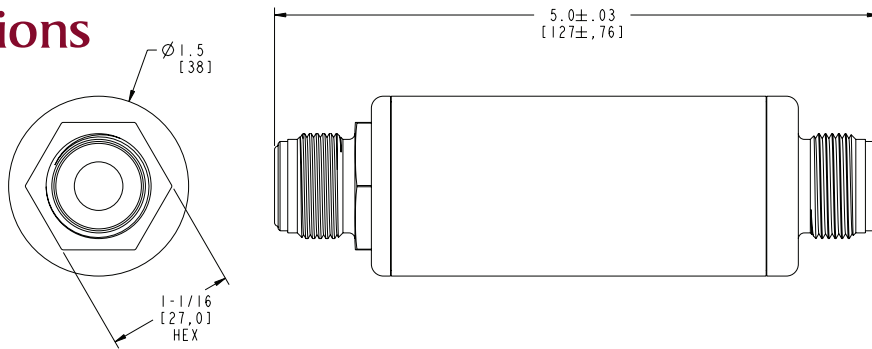
Mott High Purity Fiber Filters FLP Series High Flow Rate/Low Pressure Drop



Designed for low vapor pressure gases
from liquid source volatile precursors.

- High Flow Rate / Low Pressure Drop
- High Temperature Tolerance (up to 450°C)
- Maximum Inlet Pressure 2500 PSIG
- 316L Stainless Steel Housings
- 1×10^{-9} atm cc/sec Helium Leak Rate
- Cleaned and Packaged in Class 100 Clean Room
- Removal Rating: $\geq 0.003 \mu\text{m}$

Available Configurations

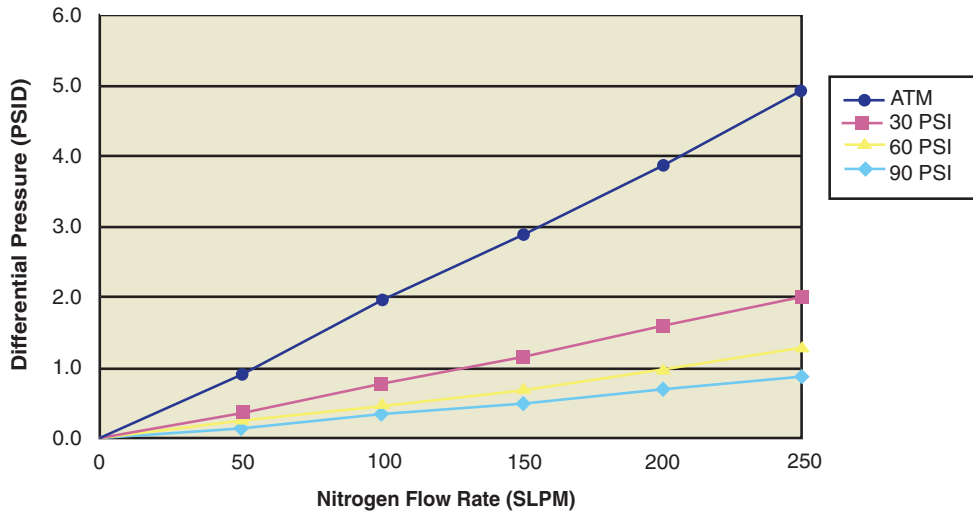


Dimensions

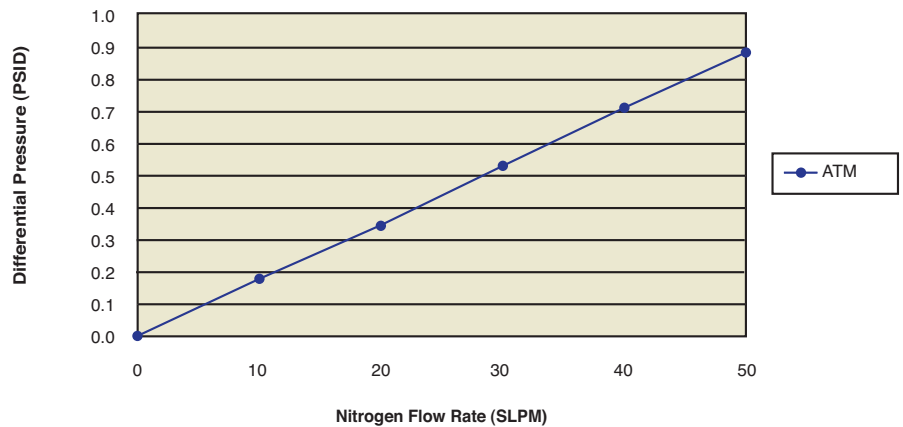
Part Description	Diameter	End Fitting	Media Material
FLP515FF33	1.50" (38mm)	1/2" VCR	Stainless Steel

New Mott High Purity Fiber Filters

Nitrogen Flow Rate vs. Differential Pressure



At Lower Flow Rates



mott corporation

84 Spring Lane, Farmington, CT 06032-3159
 www.mottcorp.com, email: quest@mottcorp.com
 860-747-6333 Fax 860-747-6739



ISO 9001:2008 CERTIFIED

HPFLP 0909