



84 Spring Lane, Farmington, CT 06032-3159  
 860-747-6333 Fax 860-747-6739  
[www.mottcorp.com](http://www.mottcorp.com)

## HyPulse® HyLine Filters – Series 7710

*Mott Inline Solutions*

The 7710 Series HyLine Filters provide reliable filtration for separating solids from liquids or gases. These filters have 316 stainless steel housings and come standard with a Buna N housing seal to provide strength and dependability. Elements can have either 1" NPT pipe thread or double open ended connection configurations. Single or multi-tube elements cartridges are available depending upon the application requirements.

### Equipment Specifications:

316L SS Porous Metal Media  
 316 SS Housing and Hardware

Maximum Operating Pressure: 300 psi (Housing)  
 Temperature Rating Based on O-Ring Selection  
 1" NPT Inlet/Outlet Housing Ports  
 1/4" NPT Housing Drain  
 Outside-In Filter Area: 0.54 Ft<sup>2</sup>  
 Filter Element 100% Leak Tested to Bubble Point

### Applications:

- ◆ Liquids/Steam/Air/Gases
- ◆ Process Filter
- ◆ Sampling Filter
- ◆ Polishing Filter
- ◆ Pilot or Test Filtration (Feasibility, Filterability, Flow vs Delta P, Efficiency, Backwash Capability, Cake Characterization, Cake-Holding Capacity, Precoat Performance)



### Filter Options:

**Housings** available for 10" Cartridges with either Double Open Ends/DOE - **Housing CPN 101055**  
 or 1" NPT Connections - **Housing CPN 101059**

**Housing O-Ring Material:**

- **B (Buna N) – Standard**
- E (EPDM)
- S (Silicone)
- V (Viton A)

### O-Ring Operating Temp Ranges

**-30°F to 250°F**  
**-40°F to 300°F**  
**-60°F to 400°F**  
**-10°F to 400°F**

*Note: Temperature ranges may vary depending upon application dynamics, variables, and chemical properties. For higher temperatures, consult factory.*

### **Filter Cartridge Types:**

**Double Open Ended/DOE – CPN 2107001-XXX**  
 Gasket Seal Cartridge Connection (2 9/16" OD, 10" Long)

**NPT Single Element Cartridge – CPN 2205386-XXX**  
 1" NPT Hex Connection (2.5" OD, 10" Porous Length)

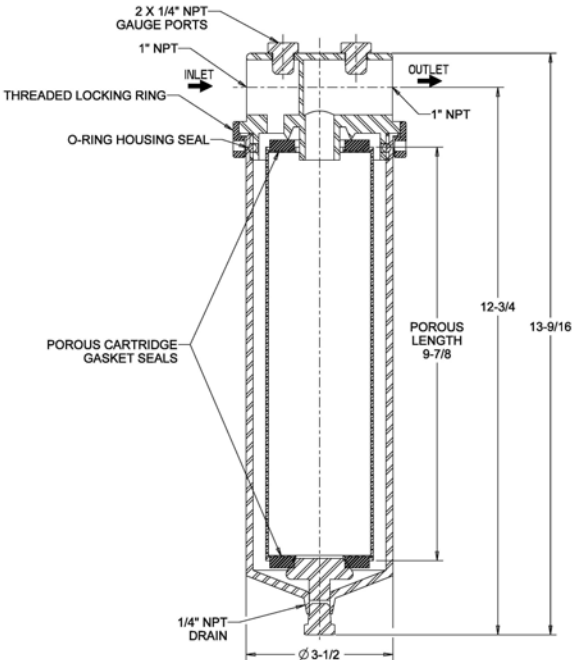
**NPT Multi-Tube Element Cartridge – CPN 2510013-XXX**  
 1" NPT Hex Connection (2.75" OD, 10" Porous Length)

XXX = Media Grades: 0.5, 2, 5, 10, 20, 40 (other media grades available – consult factory)

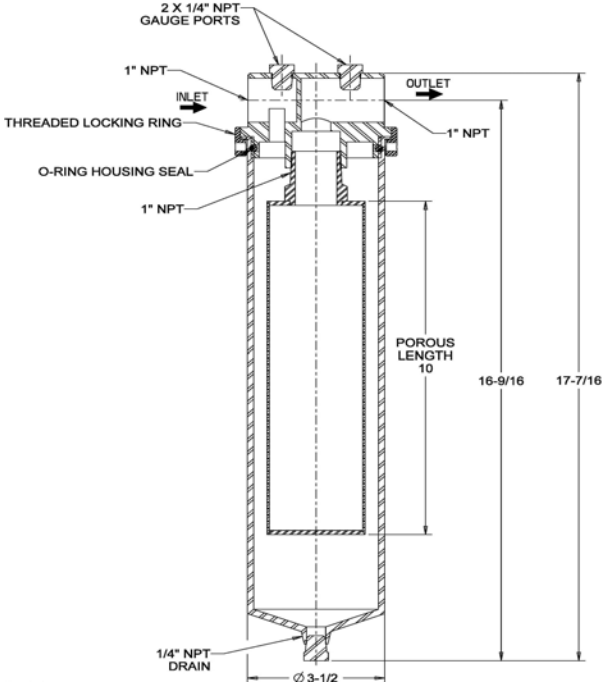
Note: Spare cartridges, housing o-rings, and cartridge gaskets are available upon request.

If you have any questions regarding your specific requirements and the application of Mott porous metal products, please contact us at [Quest@mottcorp.com](mailto:Quest@mottcorp.com).

**SERIES 7710 DOE HOUSING**



**SERIES 7710 NPT HOUSING**



**mott corporation**

84 Spring Lane, Farmington, CT 06032-3159  
 860-747-6333 Fax 860-747-6739  
[www.mottcorp.com](http://www.mottcorp.com)

**HyPulse HyLine 7710 Series Filter**  
 Typical Pressure Drop of Empty Housing  
 and Housing with 10" Cartridge  
 of Media Grade 0.2 - 40

Media Grade  
 - 316L Stainless Steel  
 - Standard Thickness

